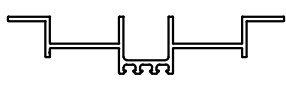
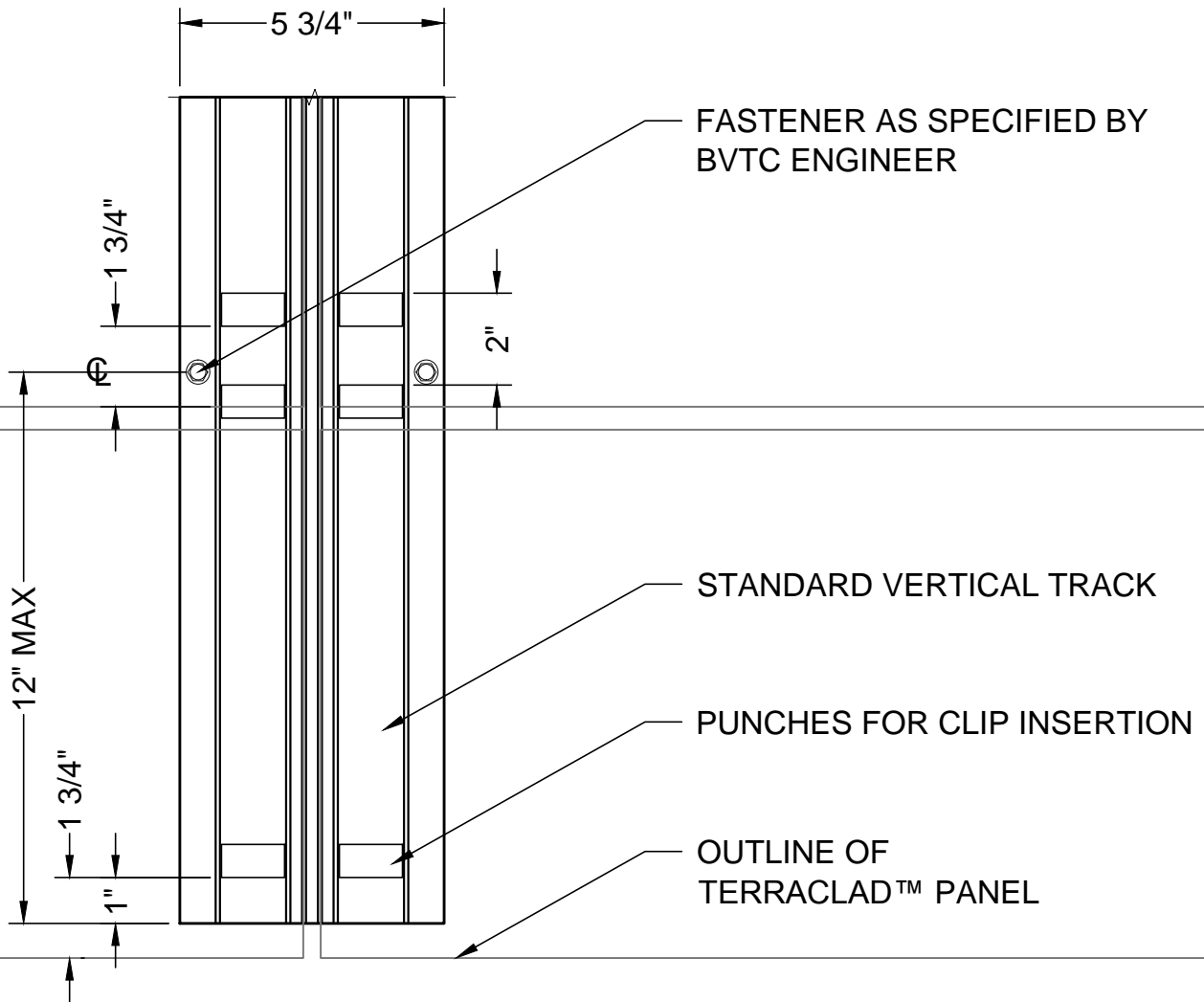


NOTE: BVTC TO SUPPLY TERRACLAD™ PANELS, VERTICAL TRACK w/ GASKET, AND CLIPS w/ ISOLATORS. ALL OTHER COMPONENTS TO BE PROVIDED BY OTHERS.



ELEVATION, DIMENSIONS AT BOTTOM OF TRACK

1

Scale: 3" = 1'-0"

ALL RIGHTS RESERVED. NO PART OF THIS WORK MAY BE REPRODUCED OR COPIED IN ANY FORM OR BY ANY MEANS -GRAPHIC, ELECTRONIC, OR MECHANICAL, INCLUDING PHOTOCOPYING, RECORDING, TAPING OR INFORMATION AND RETRIEVAL SYSTEMS - WITHOUT WRITTEN PERMISSION OF BOSTON VALLEY TERRA COTTA.



TerraClad™
 6860 SOUTH ABBOTT ROAD
 ORCHARD PARK, NY 14127
 PHONE: 716-649-7490
 FAX: 716-649-9662
www.terraclad.com

**SECTION
 DETAIL
 DRAWING**

SCALE:	3" = 1'-0"
DATE:	1/10/14
DRAWN:	EDS
PAGE NUMBER	S-19