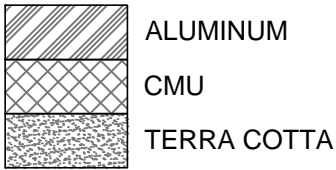
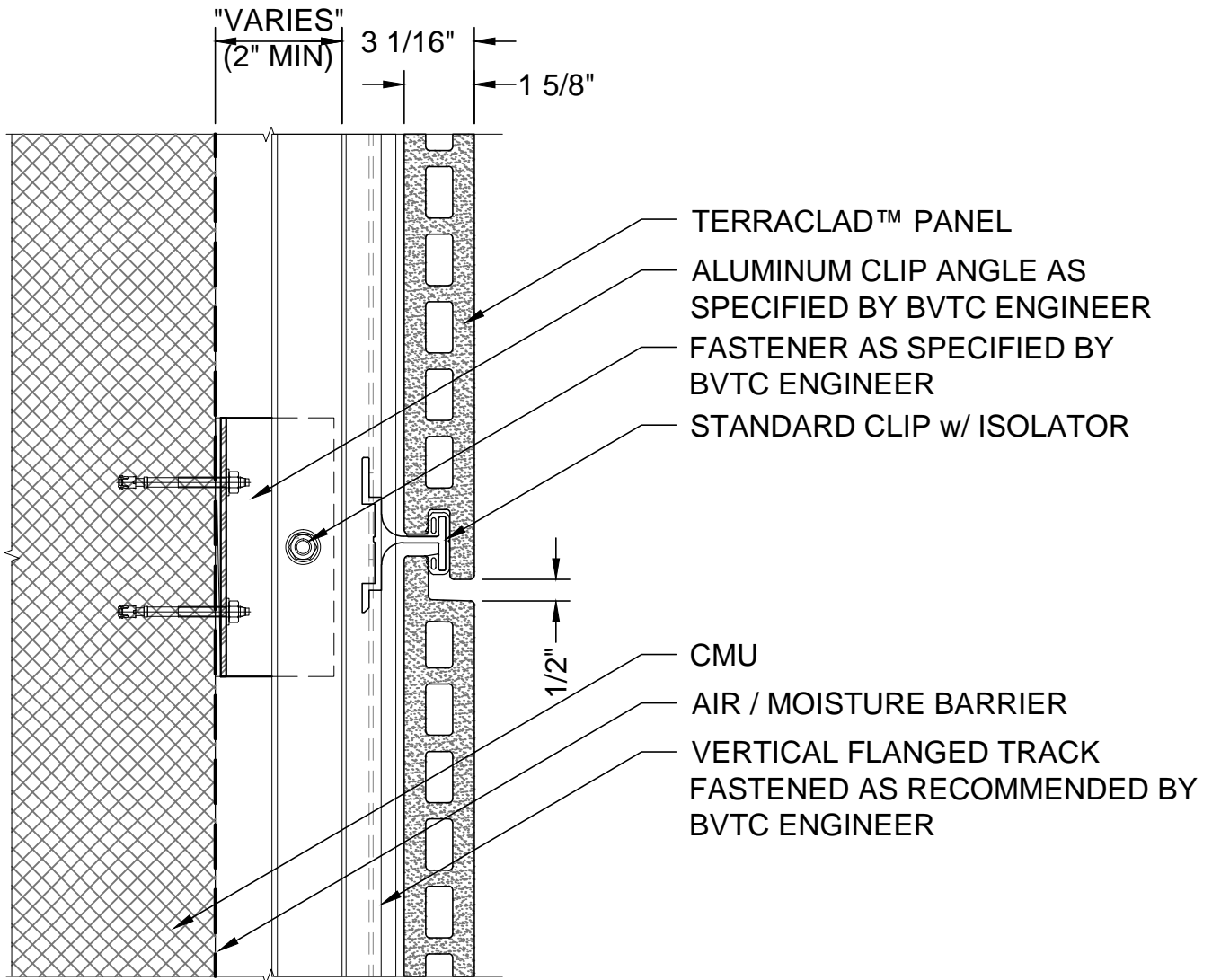


**LEGEND**



**NOTE: BVTC TO SUPPLY TERRACLAD™ PANELS, VERTICAL TRACK w/ GASKET, AND CLIPS w/ ISOLATORS. ALL OTHER COMPONENTS TO BE PROVIDED BY OTHERS.**



**SECTION DETAIL, PANEL AT FLANGED TRACK STANDARD HORIZONTAL JOINT**

1

Scale: 3" = 1'-0"

ALL RIGHTS RESERVED. NO PART OF THIS WORK MAY BE REPRODUCED OR COPIED IN ANY FORM OR BY ANY MEANS -GRAPHIC, ELECTRONIC, OR MECHANICAL, INCLUDING PHOTOCOPYING, RECORDING, TAPING OR INFORMATION AND RETRIEVAL SYSTEMS - WITHOUT WRITTEN PERMISSION OF BOSTON VALLEY TERRA COTTA.



**TerraClad™**  
 6860 SOUTH ABBOTT ROAD  
 ORCHARD PARK, NY 14127  
 PHONE: 716-649-7490  
 FAX: 716-649-9662  
[www.terraclad.com](http://www.terraclad.com)

**SECTION  
 DETAIL  
 DRAWING**

SCALE:	3" = 1'-0"
DATE:	07/14/14
DRAWN:	EDS
PAGE NUMBER	S-15