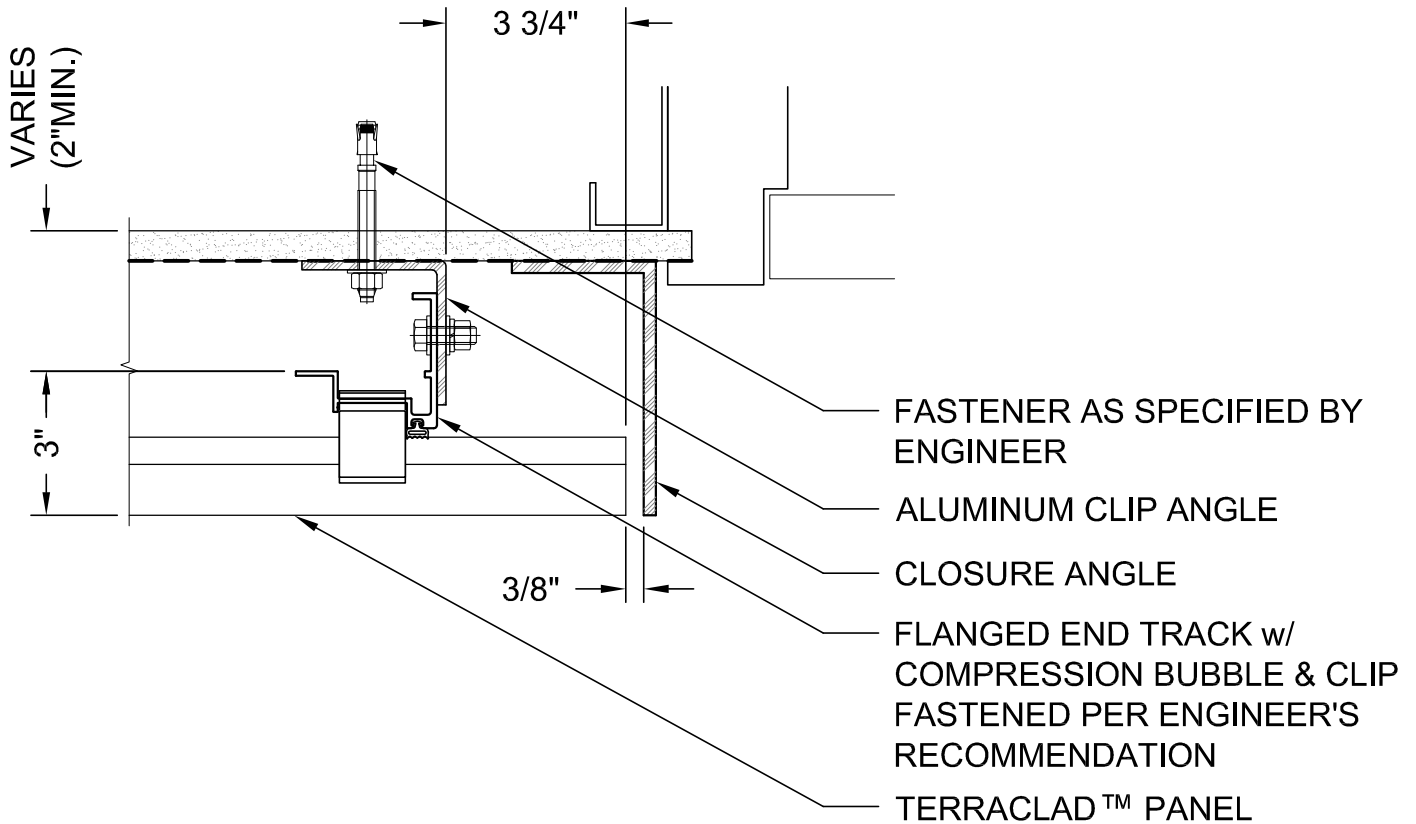


NOTE: BVTC TO SUPPLY TERRACLAD™
 PANELS, VERTICAL TRACK w/ GASKET,
 AND CLIPS w/ ISOLATORS. ALL OTHER
 COMPONENTS TO BE PROVIDED BY OTHERS.



1 PLAN DETAIL, FLANGED TRACK @ JAMB CLOSURE
 Scale: 3" = 1'-0"

LEGEND

	ALUMINUM
	SHEATHING

ALL RIGHTS RESERVED. NO PART OF THIS WORK MAY BE REPRODUCED OR COPIED IN ANY FORM OR BY ANY MEANS -GRAPHIC, ELECTRONIC, OR MECHANICAL, INCLUDING PHOTOCOPYING, RECORDING, TAPING OR INFORMATION AND RETRIEVAL SYSTEMS-WITHOUT WRITTEN PERMISSION OF BOSTON VALLEY TERRA COTTA.

TerraClad™ Rainscreen		
DRAWN: neps/ajb	DATE: 06/16/10	SCALE: 3" = 1'-0"
Boston Valley Terra Cotta		
6860 SOUTH ABBOTT RD. ORCHARD PARK, NY 14127 PHONE (716) 649-7490 FAX (716) 649-7688 www.terraclad.com		

DETAIL
 DRAWING



JB-6