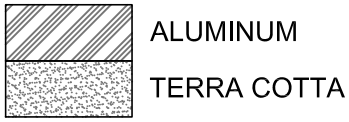
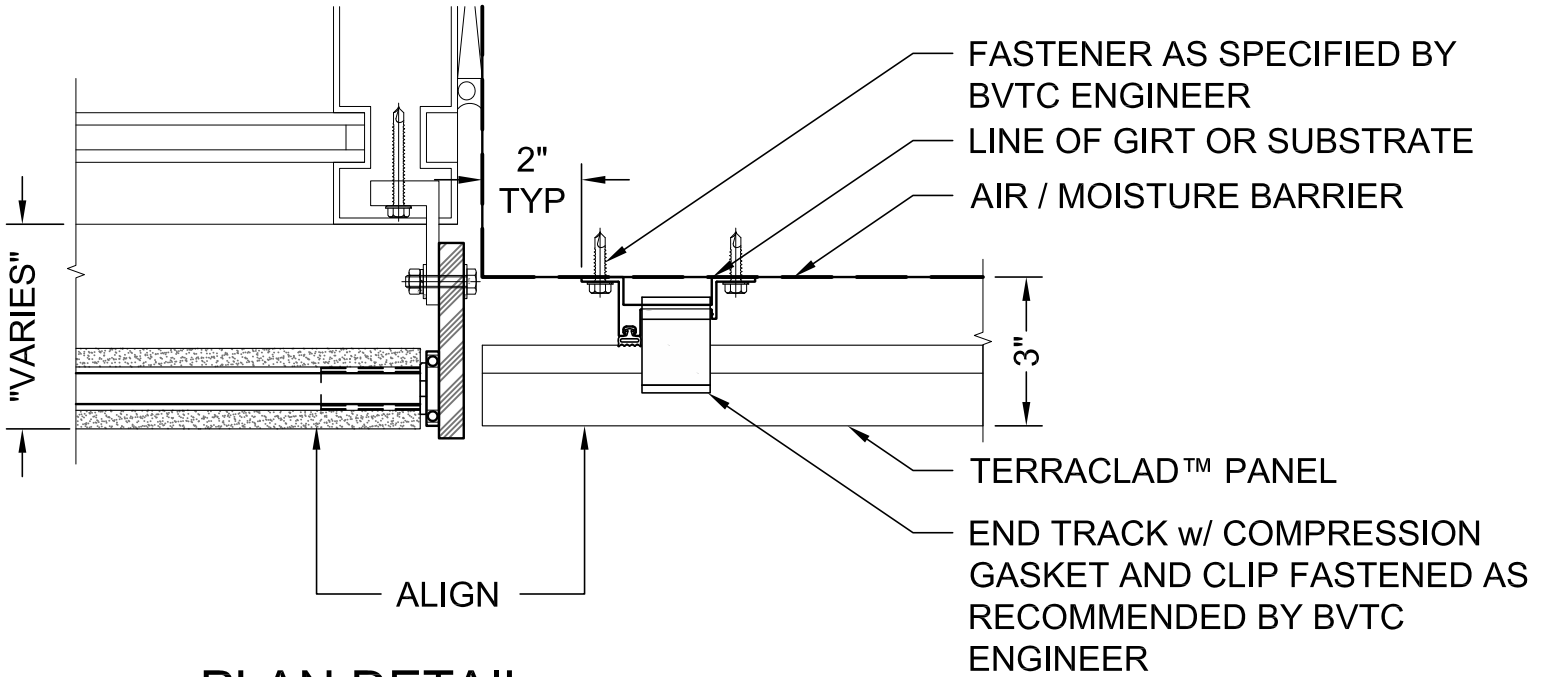


LEGEND

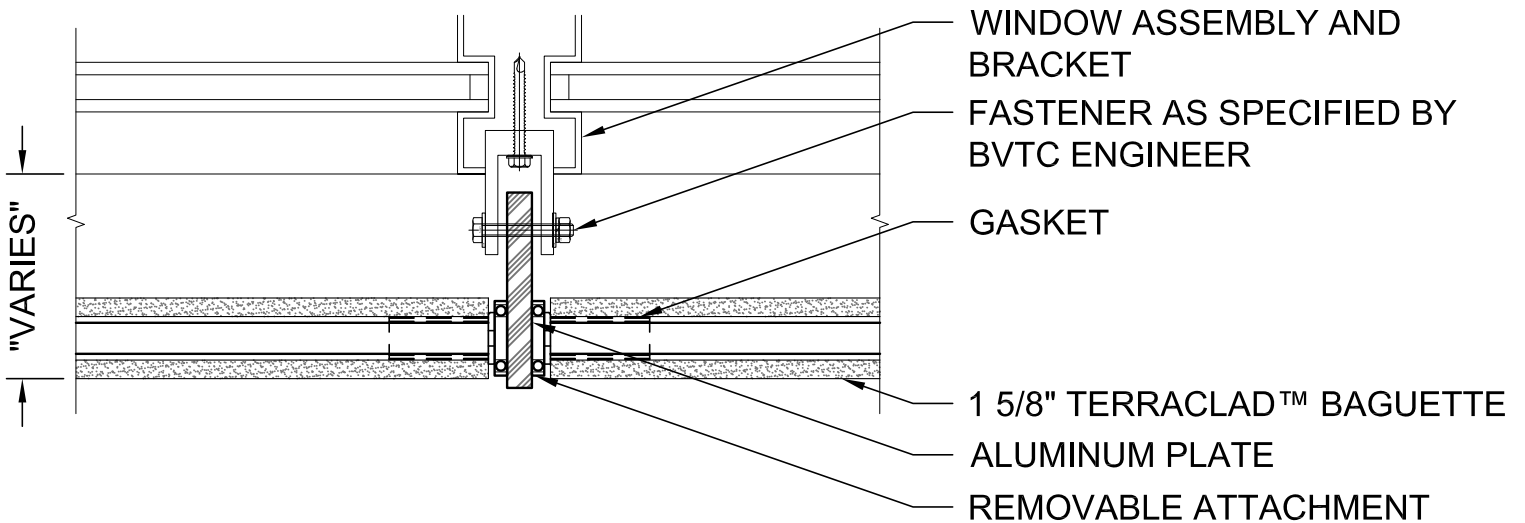


NOTE: BVTC TO SUPPLY TERRACLAD™ BAGUETTE, SPLINE, GASKET AND REMOVABLE ATTACHMENT. ALL OTHER COMPONENTS TO BE PROVIDED BY OTHERS.



2 PLAN DETAIL BAGUETTE SUPPORT AT ADJACENT PANEL

Scale: 3" = 1'-0"



1 PLAN DETAIL 1 5/8" BAGUETTE SUPPORT SYSTEM

Scale: 3" = 1'-0"

ALL RIGHTS RESERVED. NO PART OF THIS WORK MAY BE REPRODUCED OR COPIED IN ANY FORM OR BY ANY MEANS -GRAPHIC, ELECTRONIC, OR MECHANICAL, INCLUDING PHOTOCOPYING, RECORDING, TAPING OR INFORMATION AND RETRIEVAL SYSTEMS - WITHOUT WRITTEN PERMISSION OF BOSTON VALLEY TERRA COTTA.



TerraClad™
 6860 SOUTH ABBOTT ROAD
 ORCHARD PARK, NY 14127
 PHONE: 716-649-7490
 FAX: 716-649-9662
 www.terraclad.com

**DETAIL
 DRAWING**

SCALE:	6" = 1'-0"
DATE:	2/19/14
DRAWN:	EDS
PAGE NUMBER	B-7