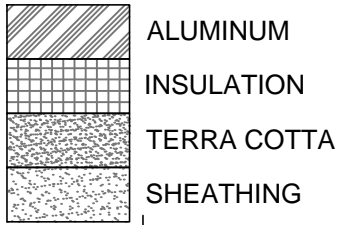
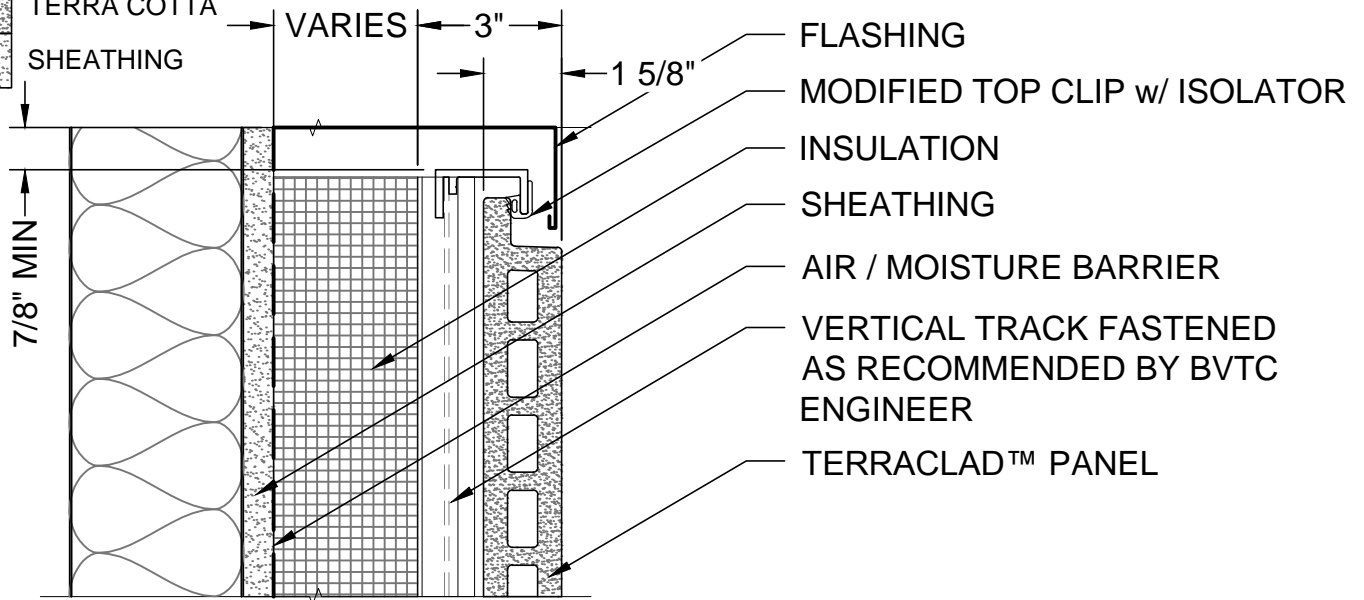


LEGEND



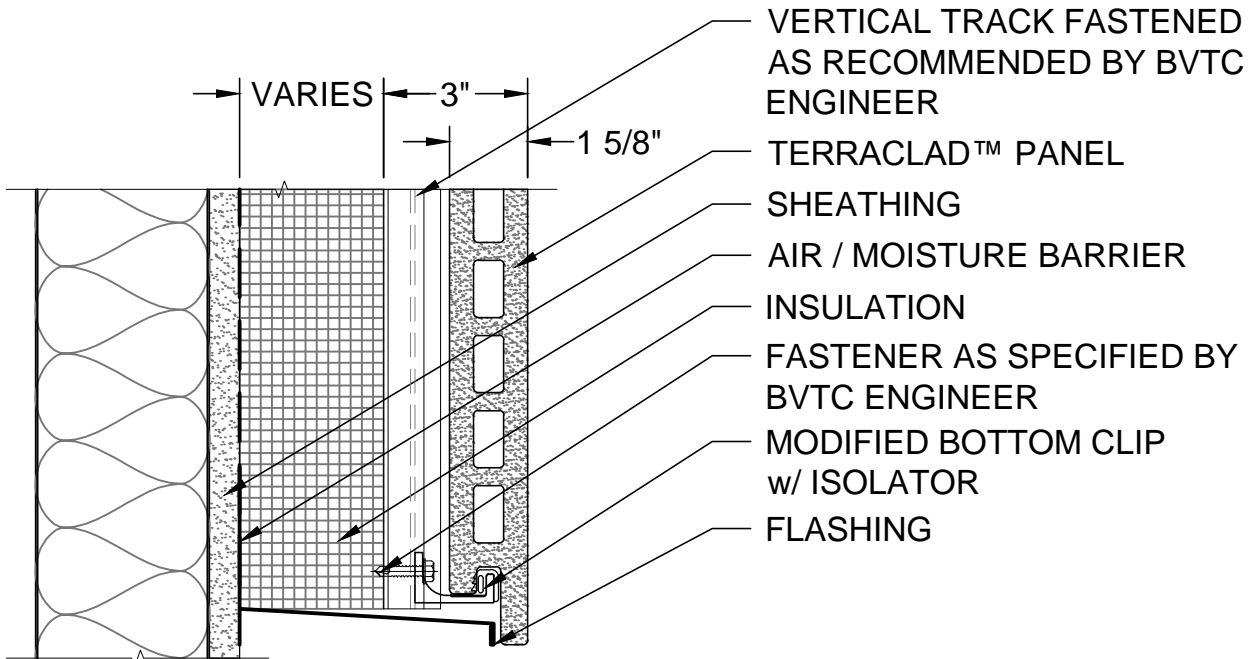
NOTE: BVTC TO SUPPLY TERRACLAD™ PANELS, VERTICAL TRACK w/ GASKET, AND CLIPS w/ ISOLATORS. ALL OTHER COMPONENTS TO BE PROVIDED BY OTHERS



**SECTION DETAIL
MODIFIED TOP CLIP**

2

Scale: 3" = 1'-0"



**SECTION DETAIL
MODIFIED BOTTOM CLIP**

1

Scale: 3" = 1'-0"

ALL RIGHTS RESERVED. NO PART OF THIS WORK MAY BE REPRODUCED OR COPIED IN ANY FORM OR BY ANY MEANS -GRAPHIC, ELECTRONIC, OR MECHANICAL, INCLUDING PHOTOCOPYING, RECORDING, TAPING OR INFORMATION AND RETRIEVAL SYSTEMS - WITHOUT WRITTEN PERMISSION OF BOSTON VALLEY TERRA COTTA.



TerraClad™
6860 SOUTH ABBOTT ROAD
ORCHARD PARK, NY 14127
PHONE: 716-649-7490
FAX: 716-649-9662
www.terraclad.com

**SECTION
DETAIL
DRAWING**

SCALE:	3" = 1'-0"
DATE:	10/28/13
DRAWN:	STC
PAGE NUMBER	S-11