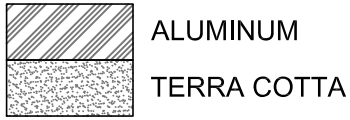
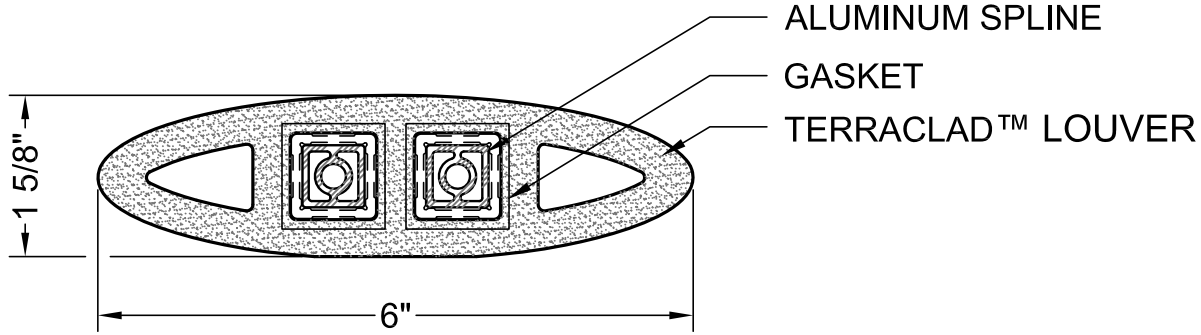


**LEGEND**

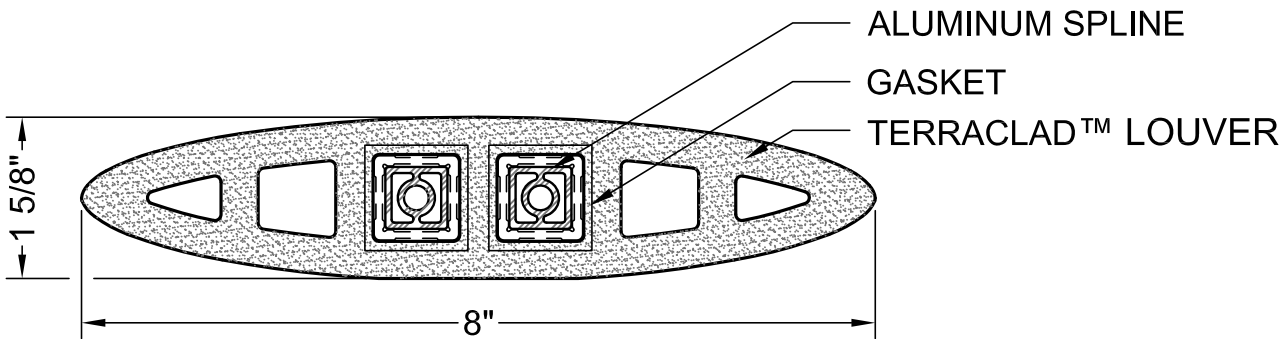


NOTE: BVTC TO SUPPLY TERRACLAD™ LOUVER, SPLINE AND GASKET. ALL OTHER COMPONENTS TO BE PROVIDED BY OTHERS.



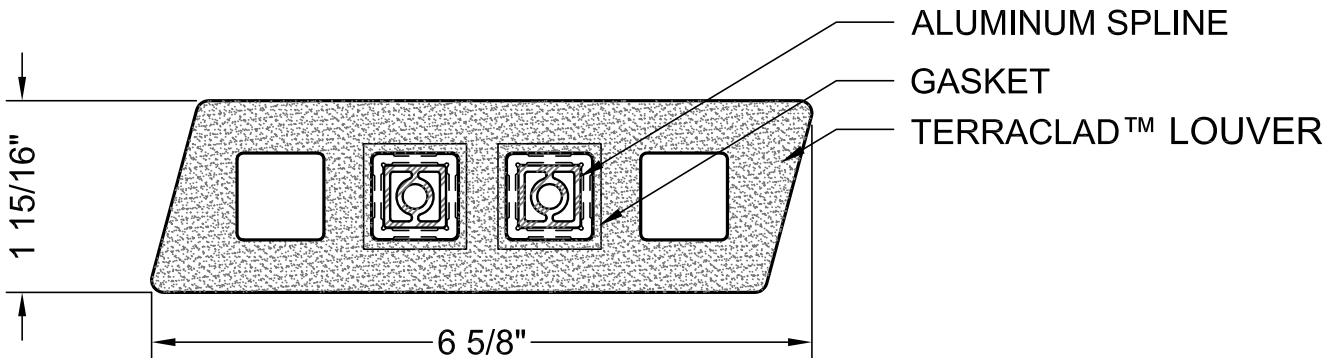
**3** 1 5/8" x 6" AIRFOIL LOUVER

Scale: 6" = 1'-0"



**2** 1 5/8" x 8" AIRFOIL LOUVER

Scale: 6" = 1'-0"



**1** 2" x 6 5/8" SKEWED LOUVER

Scale: 6" = 1'-0"

ALL RIGHTS RESERVED. NO PART OF THIS WORK MAY BE REPRODUCED OR COPIED IN ANY FORM OR BY ANY MEANS -GRAPHIC, ELECTRONIC, OR MECHANICAL, INCLUDING PHOTOCOPYING, RECORDING, TAPING OR INFORMATION AND RETRIEVAL SYSTEMS - WITHOUT WRITTEN PERMISSION OF BOSTON VALLEY TERRA COTTA.



**TerraClad™**  
 6860 SOUTH ABBOTT ROAD  
 ORCHARD PARK, NY 14127  
 PHONE: 716-649-7490  
 FAX: 716-649-9662  
 www.terraclad.com

**DETAIL  
 DRAWING**

SCALE:	6" = 1'-0"
DATE:	2/19/14
DRAWN:	EDS
PAGE NUMBER	L-3