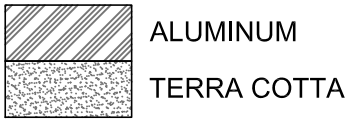
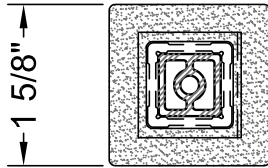


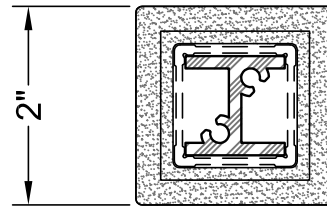
LEGEND



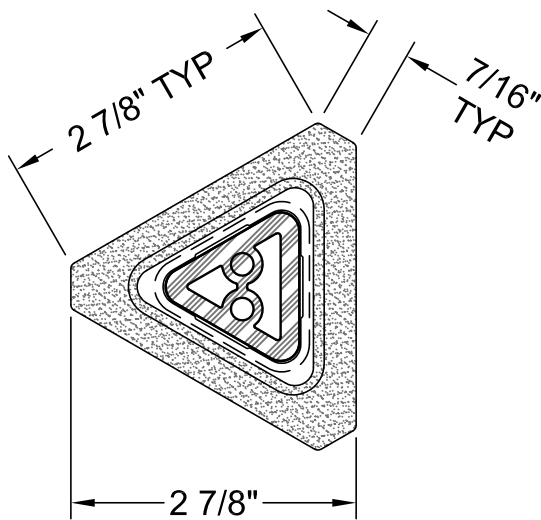
NOTE: BVTC TO SUPPLY TERRACLAD™ BAGUETTE, SPLINE AND GASKET. ALL OTHER COMPONENTS TO BE PROVIDED BY OTHERS.



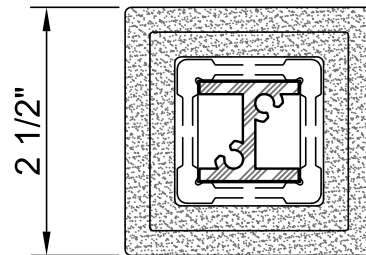
4 1 5/8" BAGUETTE
Scale: 6" = 1'-0"



2 2" BAGUETTE
Scale: 6" = 1'-0"

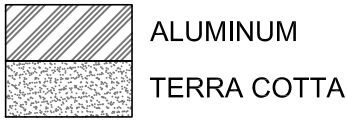


3 TRIANGLE BAGUETTE
Scale: 6" = 1'-0"

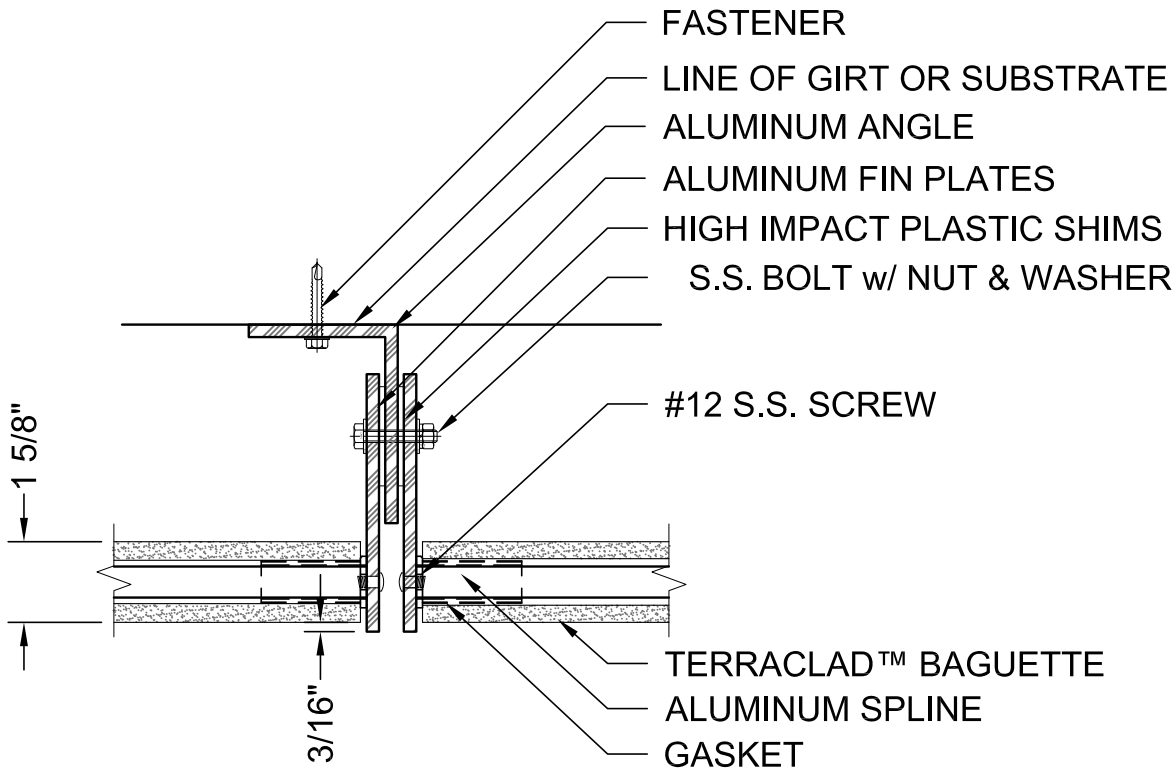


1 2 1/2" BAGUETTE
Scale: 6" = 1'-0"

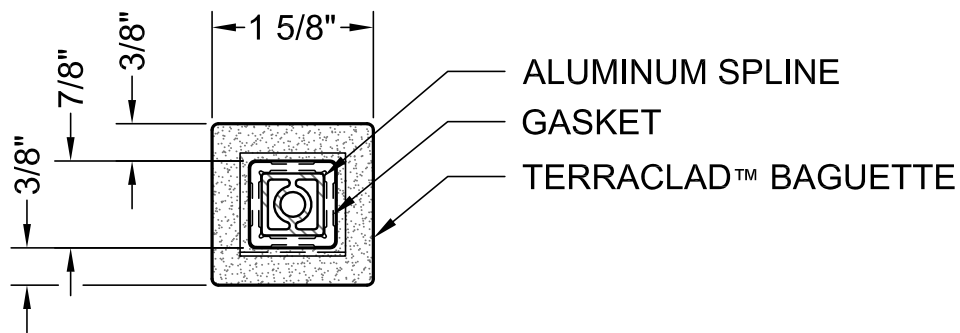
LEGEND



NOTE: BVTC TO SUPPLY TERRACLAD™ BAGUETTE, SPLINE AND GASKET. ALL OTHER COMPONENTS TO BE PROVIDED BY OTHERS.



2 PLAN DETAIL
1 5/8" BAGUETTE SUPPORT SYSTEM
 Scale: 3" = 1'-0"



1 SECTION DETAIL
1 5/8" BAGUETTE
 Scale: 6" = 1'-0"

ALL RIGHTS RESERVED. NO PART OF THIS WORK MAY BE REPRODUCED OR COPIED IN ANY FORM OR BY ANY MEANS -GRAPHIC, ELECTRONIC, OR MECHANICAL, INCLUDING PHOTOCOPYING, RECORDING, TAPING OR INFORMATION AND RETRIEVAL SYSTEMS - WITHOUT WRITTEN PERMISSION OF BOSTON VALLEY TERRA COTTA.

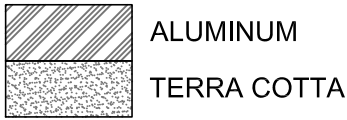


TerraClad™
 6860 SOUTH ABBOTT ROAD
 ORCHARD PARK, NY 14127
 PHONE: 716-649-7490
 FAX: 716-649-9662
 www.terraclad.com

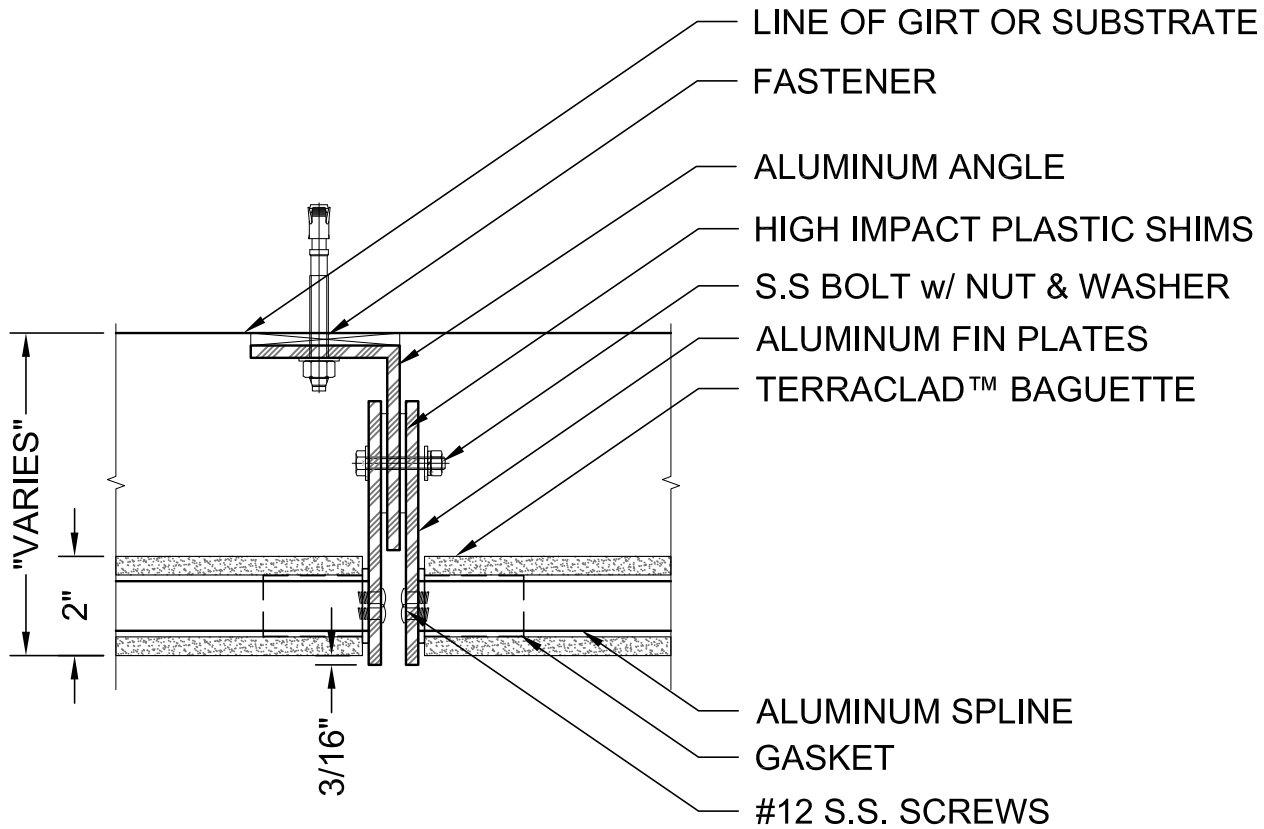
DETAIL DRAWING

SCALE:	6" = 1'-0"
DATE:	2/17/14
DRAWN:	EDS
PAGE NUMBER	B-2

LEGEND



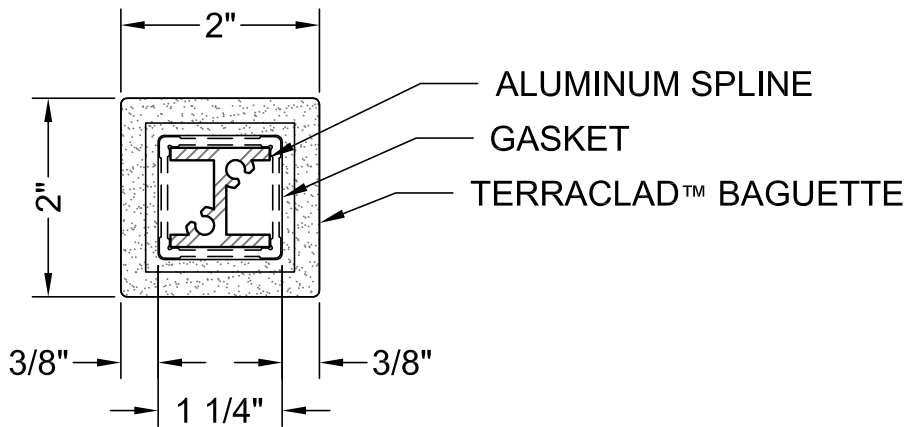
NOTE: BVTC TO SUPPLY TERRACLAD™ BAGUETTE, SPLINE AND GASKET. ALL OTHER COMPONENTS TO BE PROVIDED BY OTHERS.



**PLAN DETAIL
2" BAGUETTE SUPPORT SYSTEM**

2

Scale: 3" = 1'-0"



**SECTION DETAIL
2" BAGUETTE**

1

Scale: 6" = 1'-0"

ALL RIGHTS RESERVED. NO PART OF THIS WORK MAY BE REPRODUCED OR COPIED IN ANY FORM OR BY ANY MEANS -GRAPHIC, ELECTRONIC, OR MECHANICAL, INCLUDING PHOTOCOPYING, RECORDING, TAPING OR INFORMATION AND RETRIEVAL SYSTEMS - WITHOUT WRITTEN PERMISSION OF BOSTON VALLEY TERRA COTTA.

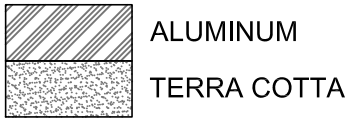


TerraClad™
6860 SOUTH ABBOTT ROAD
ORCHARD PARK, NY 14127
PHONE: 716-649-7490
FAX: 716-649-9662
www.terraclad.com

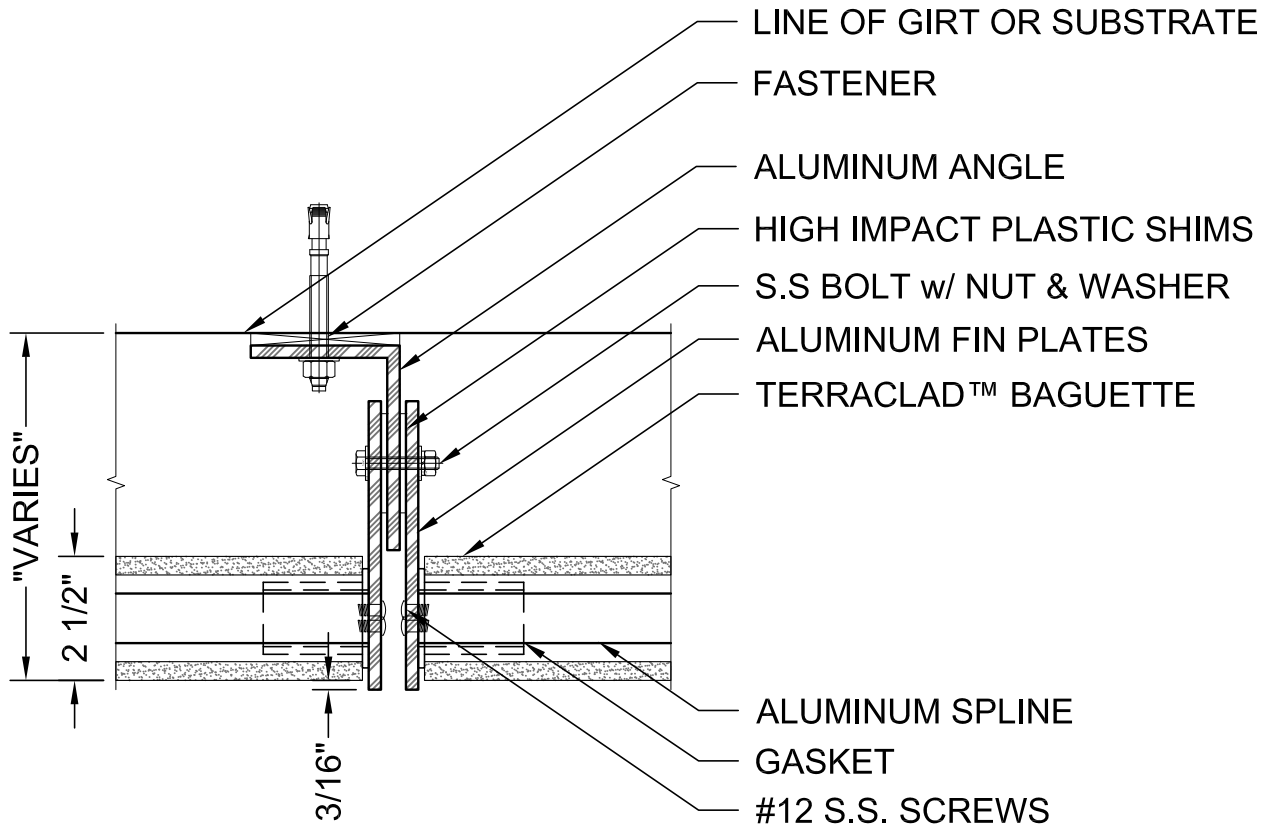
**DETAIL
DRAWING**

SCALE:	VARIES
DATE:	2/19/14
DRAWN:	EDS
PAGE NUMBER	B-3

LEGEND



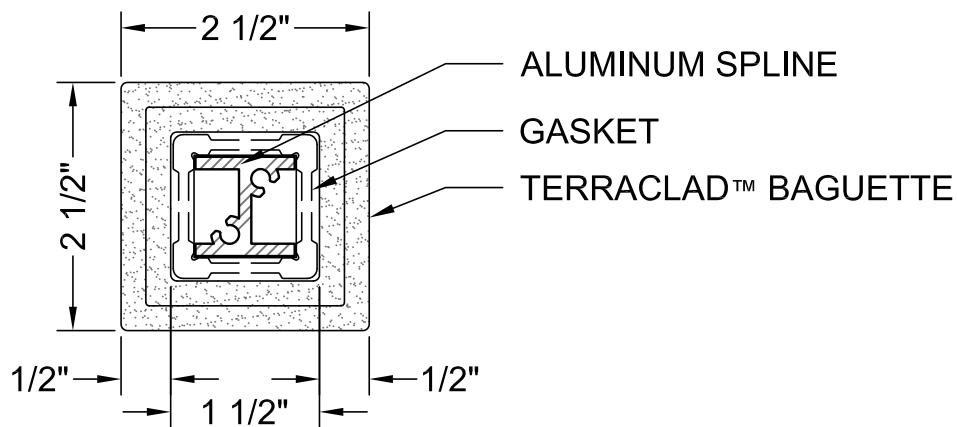
NOTE: BVTC TO SUPPLY TERRACLAD™ BAGUETTE, SPLINE AND GASKET. ALL OTHER COMPONENTS TO BE PROVIDED BY OTHERS.



**PLAN DETAIL
2 1/2" BAGUETTE SUPPORT SYSTEM**

2

Scale: 3" = 1'-0"



**SECTION DETAIL
2 1/2" BAGUETTE**

1

Scale: 6" = 1'-0"

ALL RIGHTS RESERVED. NO PART OF THIS WORK MAY BE REPRODUCED OR COPIED IN ANY FORM OR BY ANY MEANS -GRAPHIC, ELECTRONIC, OR MECHANICAL, INCLUDING PHOTOCOPYING, RECORDING, TAPING OR INFORMATION AND RETRIEVAL SYSTEMS - WITHOUT WRITTEN PERMISSION OF BOSTON VALLEY TERRA COTTA.

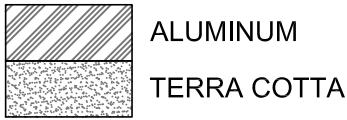


TerraClad™
6860 SOUTH ABBOTT ROAD
ORCHARD PARK, NY 14127
PHONE: 716-649-7490
FAX: 716-649-9662
www.terraclad.com

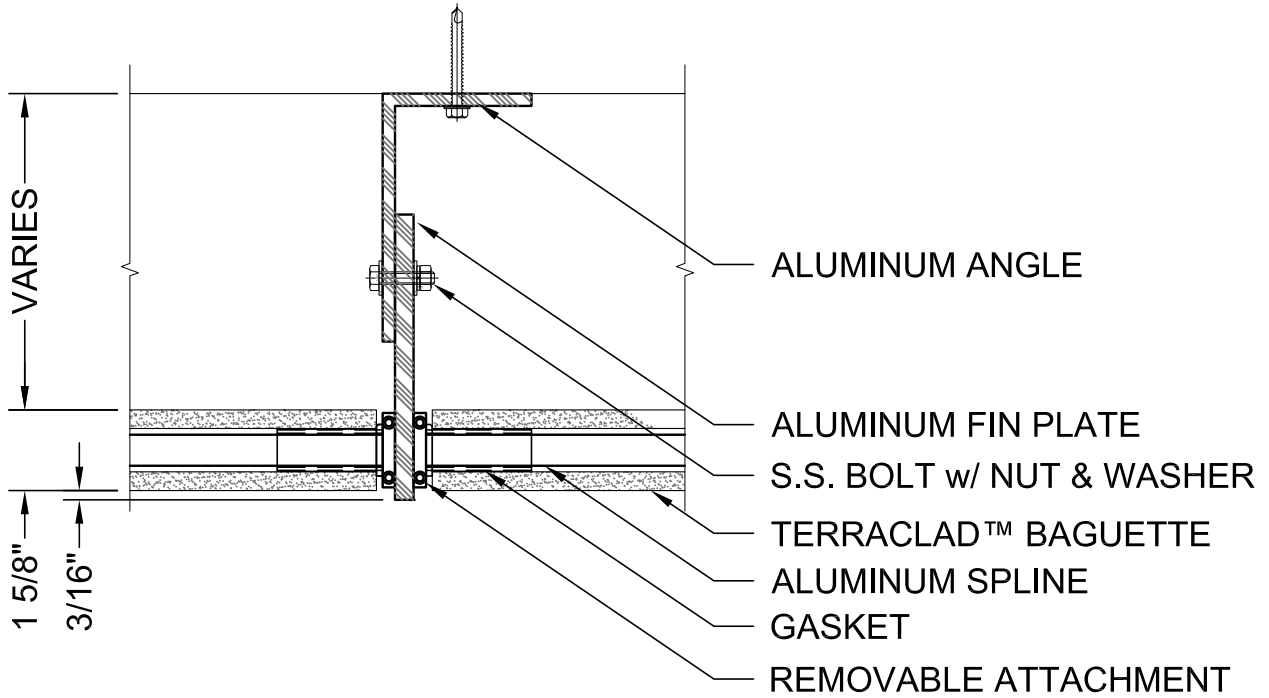
**DETAIL
DRAWING**

SCALE:	VARIES
DATE:	2/19/14
DRAWN:	EDS
PAGE NUMBER	B-4

LEGEND



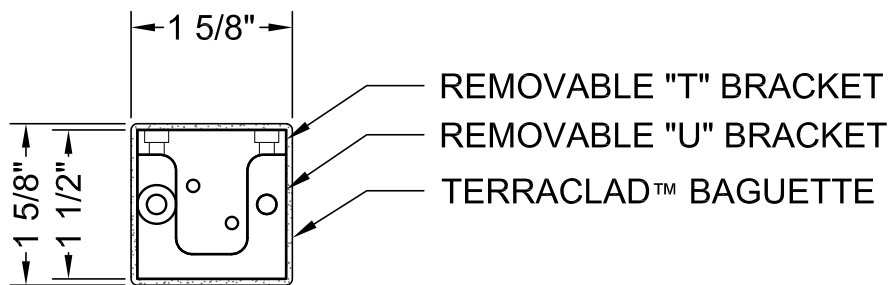
NOTE: BVTC TO SUPPLY TERRACLAD™ BAGUETTE, SPLINE, GASKET AND REMOVABLE ATTACHMENT. ALL OTHER COMPONENTS TO BE PROVIDED BY OTHERS.



PLAN DETAIL
1 5/8" BAGUETTE w/ REMOVABLE ATTACHMENT

2

Scale: 3" = 1'-0"



SECTION DETAIL
1 5/8" BAGUETTE w/ REMOVABLE ATTACHMENT

1

Scale: 6" = 1'-0"

ALL RIGHTS RESERVED. NO PART OF THIS WORK MAY BE REPRODUCED OR COPIED IN ANY FORM OR BY ANY MEANS -GRAPHIC, ELECTRONIC, OR MECHANICAL, INCLUDING PHOTOCOPYING, RECORDING, TAPING OR INFORMATION AND RETRIEVAL SYSTEMS - WITHOUT WRITTEN PERMISSION OF BOSTON VALLEY TERRA COTTA.

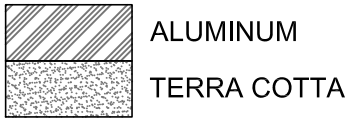


TerraClad™
 6860 SOUTH ABBOTT ROAD
 ORCHARD PARK, NY 14127
 PHONE: 716-649-7490
 FAX: 716-649-9662
 www.terraclad.com

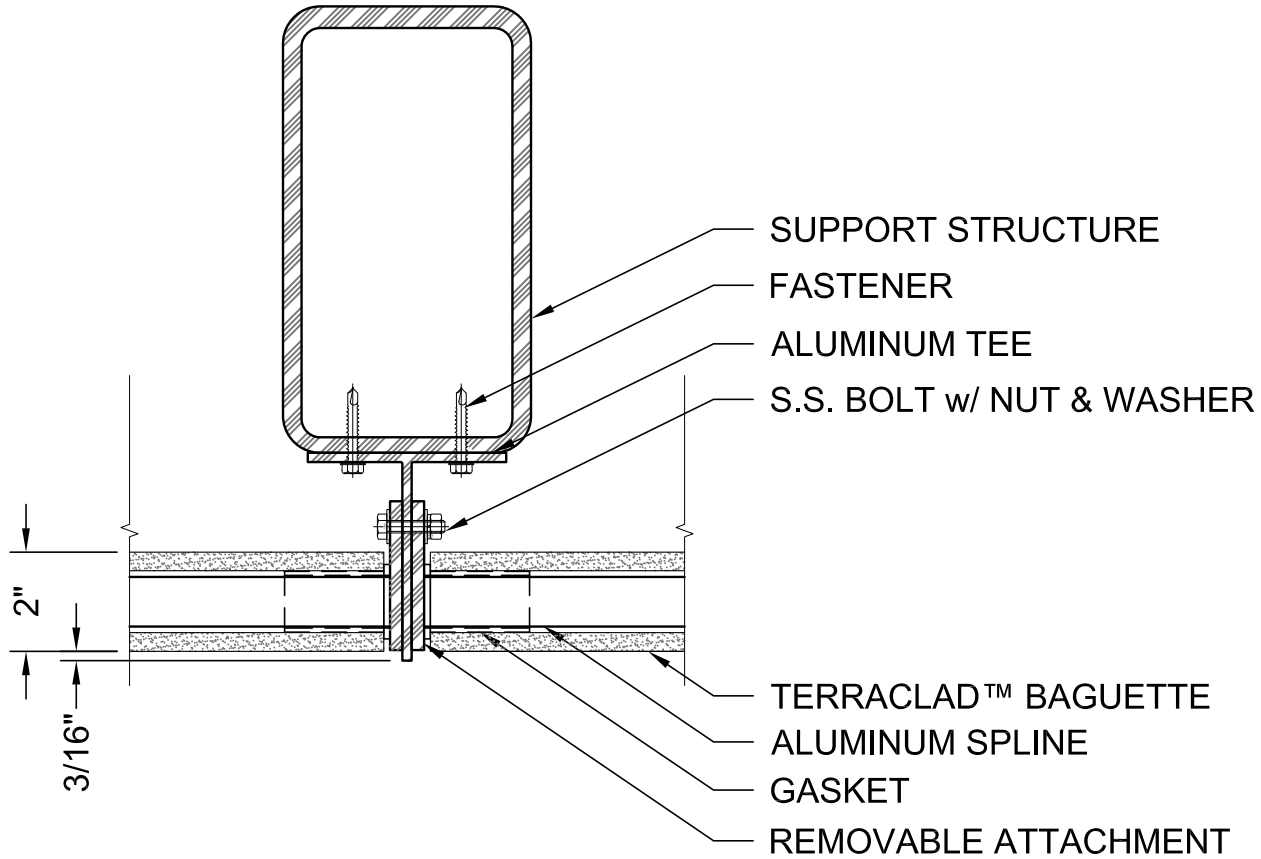
**DETAIL
 DRAWING**

SCALE:	6" = 1'-0"
DATE:	2/19/14
DRAWN:	EDS
PAGE NUMBER	B-5

LEGEND



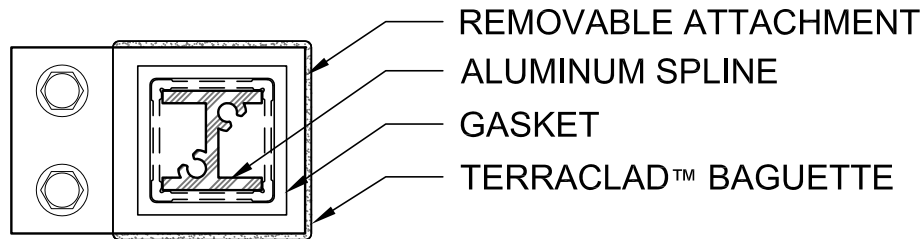
NOTE: BVTC TO SUPPLY TERRACLAD™ BAGUETTE, SPLINE, GASKET AND REMOVABLE ATTACHMENT. ALL OTHER COMPONENTS TO BE PROVIDED BY OTHERS.



**PLAN DETAIL
2" BAGUETTE w/ REMOVABLE ATTACHMENT**

2

Scale: 3" = 1'-0"



**SECTION DETAIL
2" BAGUETTE w/ REMOVABLE ATTACHMENT**

1

Scale: 6" = 1'-0"

ALL RIGHTS RESERVED. NO PART OF THIS WORK MAY BE REPRODUCED OR COPIED IN ANY FORM OR BY ANY MEANS -GRAPHIC, ELECTRONIC, OR MECHANICAL, INCLUDING PHOTOCOPYING, RECORDING, TAPING OR INFORMATION AND RETRIEVAL SYSTEMS - WITHOUT WRITTEN PERMISSION OF BOSTON VALLEY TERRA COTTA.

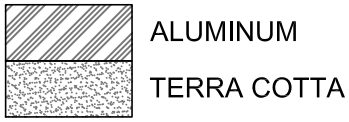


TerraClad™
6860 SOUTH ABBOTT ROAD
ORCHARD PARK, NY 14127
PHONE: 716-649-7490
FAX: 716-649-9662
www.terraclad.com

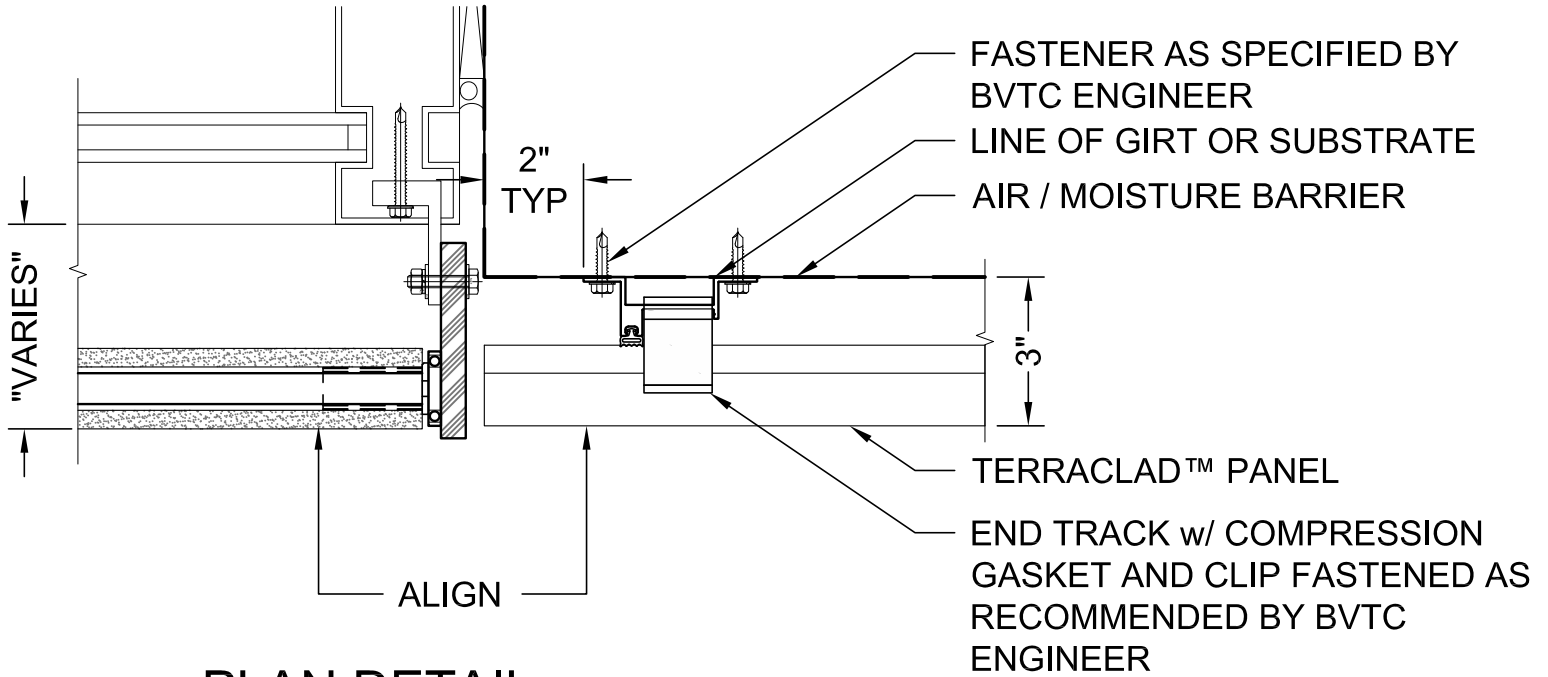
**DETAIL
DRAWING**

SCALE:	6" = 1'-0"
DATE:	04/15/15
DRAWN:	AJB
PAGE NUMBER	B-6

LEGEND

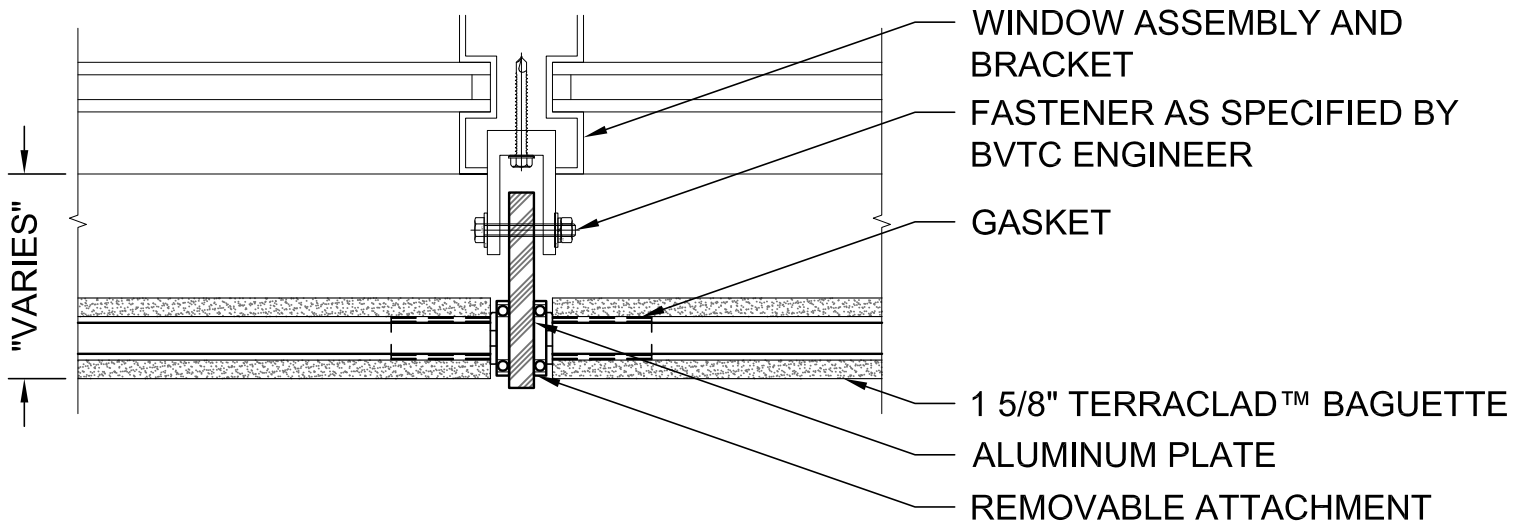


NOTE: BVTC TO SUPPLY TERRACLAD™ BAGUETTE, SPLINE, GASKET AND REMOVABLE ATTACHMENT. ALL OTHER COMPONENTS TO BE PROVIDED BY OTHERS.



2 PLAN DETAIL BAGUETTE SUPPORT AT ADJACENT PANEL

Scale: 3" = 1'-0"



1 PLAN DETAIL 1 5/8" BAGUETTE SUPPORT SYSTEM

Scale: 3" = 1'-0"

ALL RIGHTS RESERVED. NO PART OF THIS WORK MAY BE REPRODUCED OR COPIED IN ANY FORM OR BY ANY MEANS -GRAPHIC, ELECTRONIC, OR MECHANICAL, INCLUDING PHOTOCOPYING, RECORDING, TAPING OR INFORMATION AND RETRIEVAL SYSTEMS - WITHOUT WRITTEN PERMISSION OF BOSTON VALLEY TERRA COTTA.



TerraClad™
 6860 SOUTH ABBOTT ROAD
 ORCHARD PARK, NY 14127
 PHONE: 716-649-7490
 FAX: 716-649-9662
 www.terraclad.com

**DETAIL
 DRAWING**

SCALE:	6" = 1'-0"
DATE:	2/19/14
DRAWN:	EDS
PAGE NUMBER	B-7