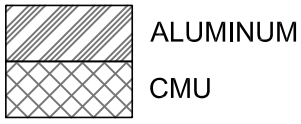
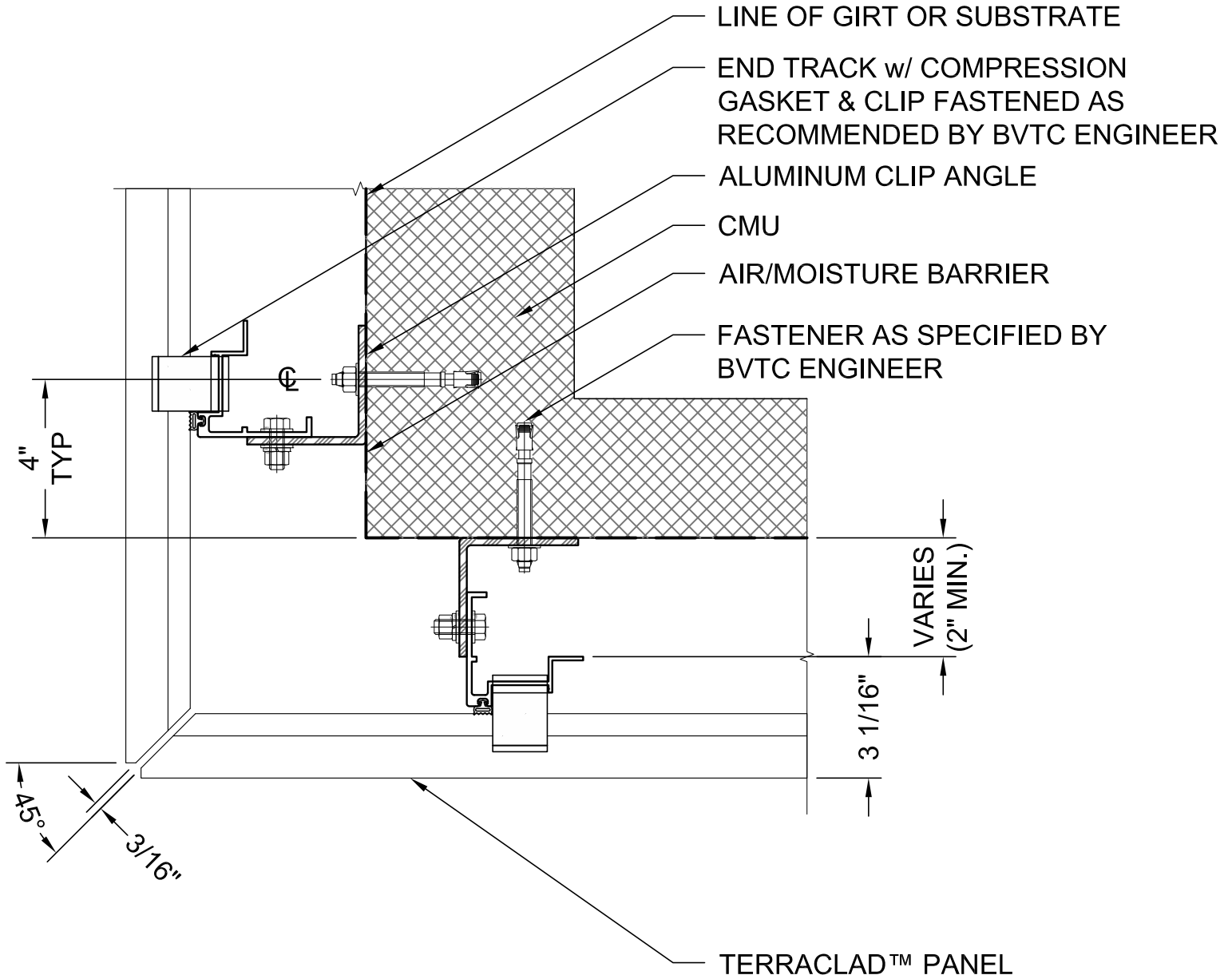


LEGEND



NOTE: BVTc TO SUPPLY TERRACLAD™ PANELS, VERTICAL TRACK w/ GASKET, AND CLIPS w/ ISOLATORS. ALL OTHER COMPONENTS TO BE PROVIDED BY OTHERS.



**PLAN DETAIL, FLANGED END TRACK
3/16" QUIRK MITERED CORNER**

1

Scale: 3" = 1'-0"

ALL RIGHTS RESERVED. NO PART OF THIS WORK MAY BE REPRODUCED OR COPIED IN ANY FORM OR BY ANY MEANS -GRAPHIC, ELECTRONIC, OR MECHANICAL, INCLUDING PHOTOCOPYING, RECORDING, TAPING OR INFORMATION AND RETRIEVAL SYSTEMS - WITHOUT WRITTEN PERMISSION OF BOSTON VALLEY TERRA COTTA.



TerraClad™
6860 SOUTH ABBOTT ROAD
ORCHARD PARK, NY 14127
PHONE: 716-649-7490
FAX: 716-649-9662
www.terraclad.com

**CORNER
DETAIL
DRAWING**

SCALE:	3" = 1'-0"
DATE:	07/14/14
DRAWN:	EDS
PAGE NUMBER	CR-5