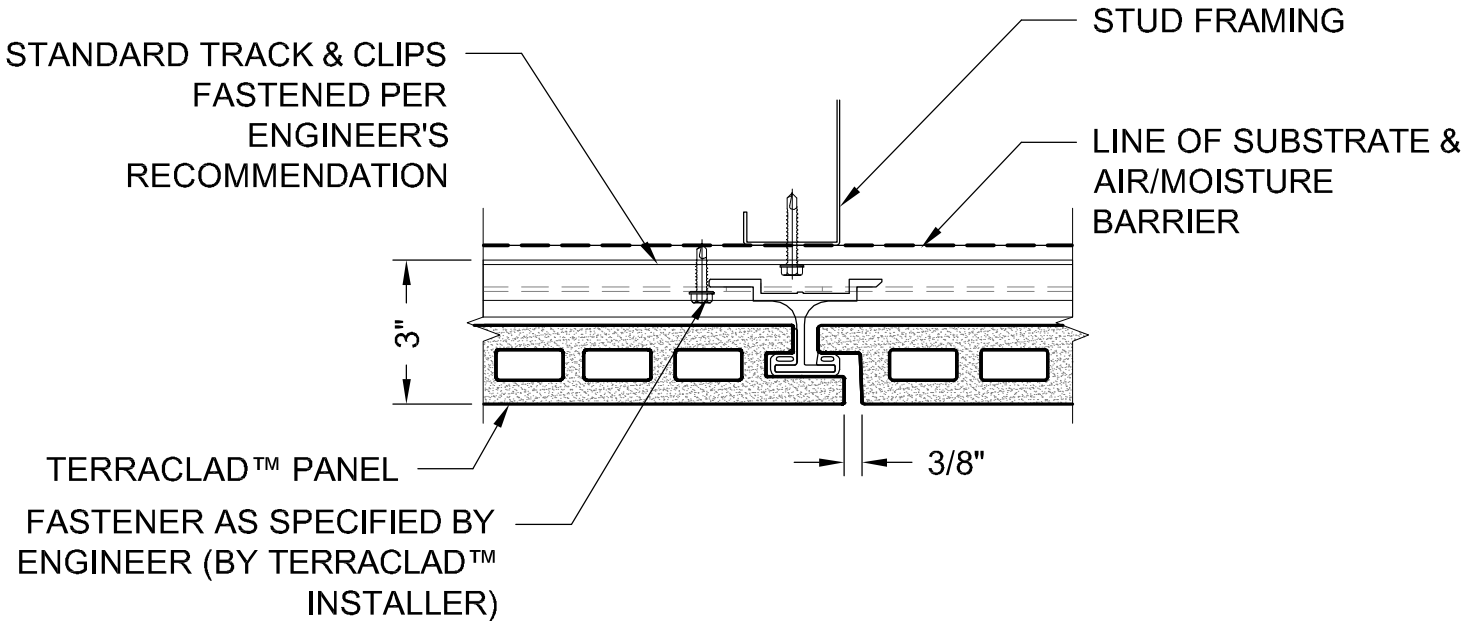


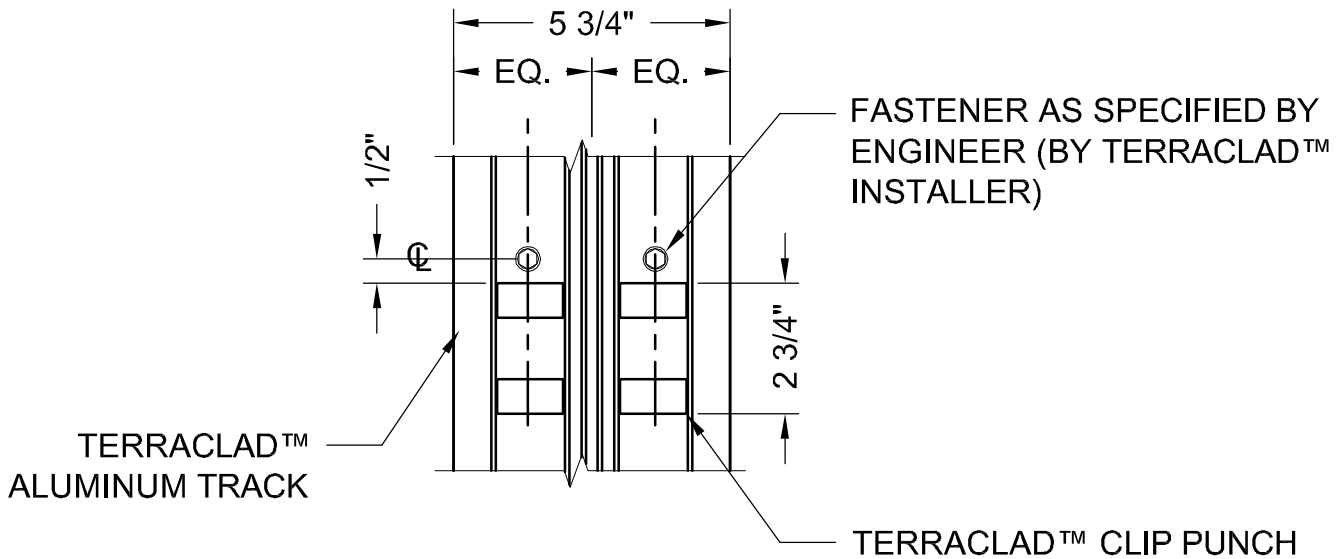
NOTE: BVTC TO SUPPLY TERRACLAD™ PANELS, VERTICAL TRACK w/ GASKET, AND CLIPS w/ ISOLATORS. ALL OTHER COMPONENTS TO BE PROVIDED BY OTHERS.



SECTION DETAIL CEILING CLIP

1

Scale: 3" = 1'-0"



PLAN DETAIL CEILING CLIP

2

Scale: 3" = 1'-0"

LEGEND



TERRA COTTA

ALL RIGHTS RESERVED. NO PART OF THIS WORK MAY BE REPRODUCED OR COPIED IN ANY FORM OR BY ANY MEANS -GRAPHIC, ELECTRONIC, OR MECHANICAL, INCLUDING PHOTOCOPYING, RECORDING, TAPING OR INFORMATION AND RETRIEVAL SYSTEMS-WITHOUT WRITTEN PERMISSION OF BOSTON VALLEY TERRA COTTA.

TerraClad™ Rainscreen

DRAWN: ajb/neps DATE: 05/05/09 SCALE: 3" = 1'-0"

Boston Valley Terra Cotta

6860 SOUTH ABBOTT RD. ORCHARD PARK, NY 14127
PHONE (716) 649-7490 FAX (716) 649-7688 www.terraclad.com

DETAIL
DRAWING



C-3