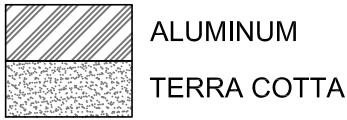
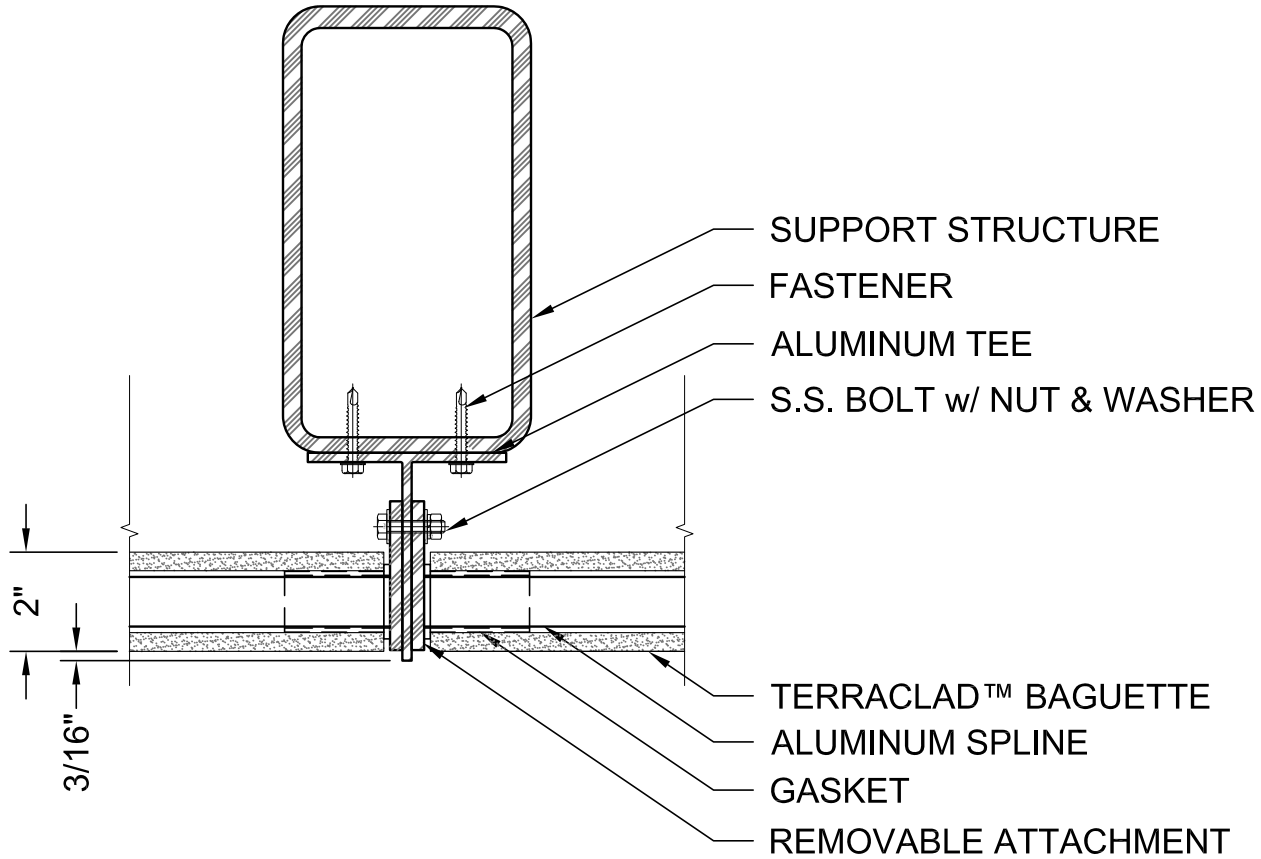


LEGEND



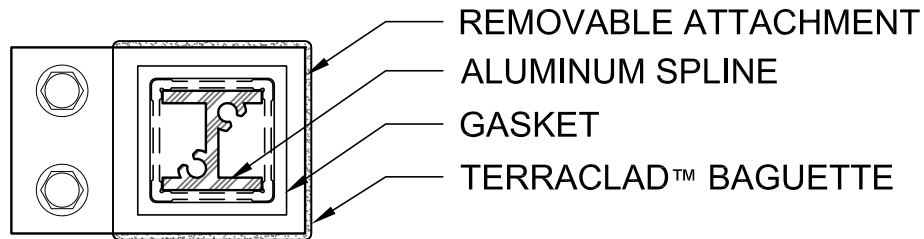
NOTE: BVTC TO SUPPLY TERRACLAD™ BAGUETTE, SPLINE, GASKET AND REMOVABLE ATTACHMENT. ALL OTHER COMPONENTS TO BE PROVIDED BY OTHERS.



**PLAN DETAIL
2" BAGUETTE w/ REMOVABLE ATTACHMENT**

2

Scale: 3" = 1'-0"



**SECTION DETAIL
2" BAGUETTE w/ REMOVABLE ATTACHMENT**

1

Scale: 6" = 1'-0"

ALL RIGHTS RESERVED. NO PART OF THIS WORK MAY BE REPRODUCED OR COPIED IN ANY FORM OR BY ANY MEANS -GRAPHIC, ELECTRONIC, OR MECHANICAL, INCLUDING PHOTOCOPYING, RECORDING, TAPING OR INFORMATION AND RETRIEVAL SYSTEMS - WITHOUT WRITTEN PERMISSION OF BOSTON VALLEY TERRA COTTA.



TerraClad™
6860 SOUTH ABBOTT ROAD
ORCHARD PARK, NY 14127
PHONE: 716-649-7490
FAX: 716-649-9662
www.terraclad.com

**DETAIL
DRAWING**

SCALE:	6" = 1'-0"
DATE:	04/15/15
DRAWN:	AJB
PAGE NUMBER	B-6