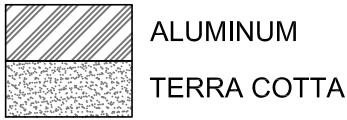
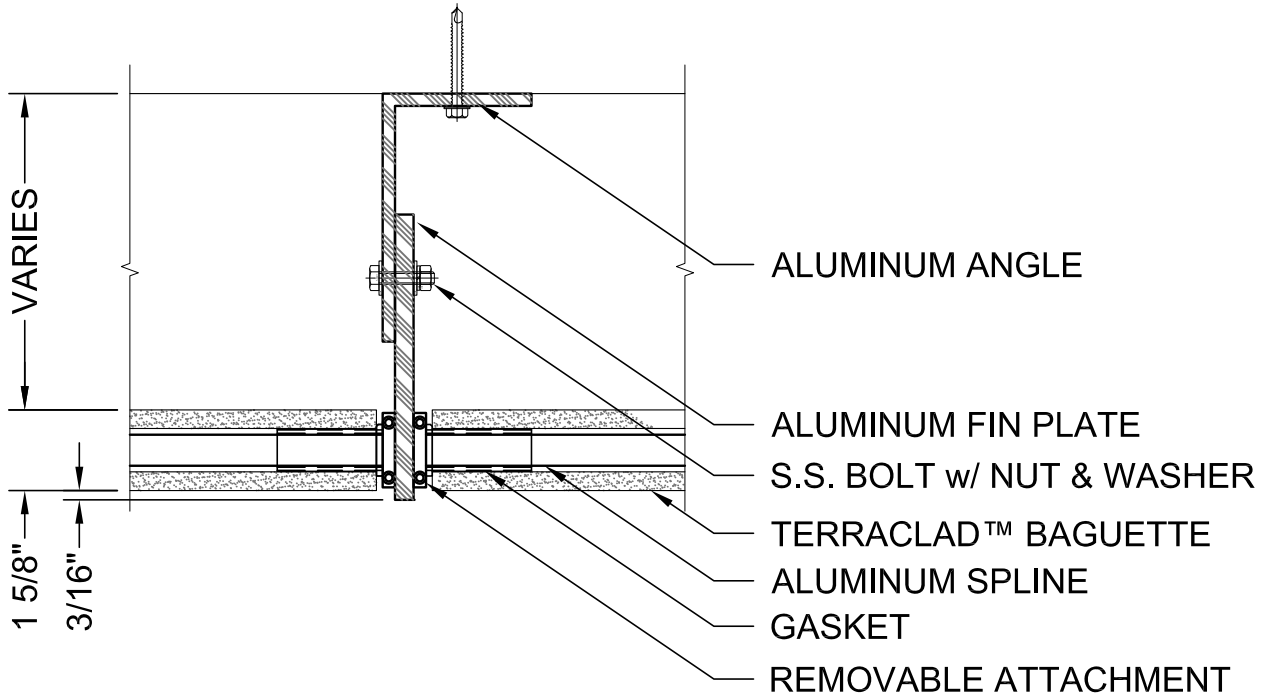


**LEGEND**



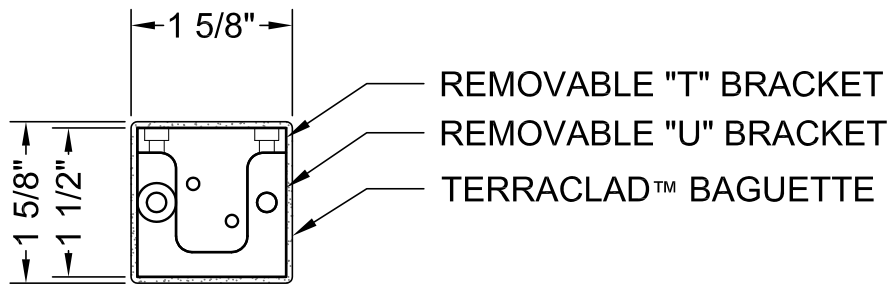
NOTE: BVTC TO SUPPLY TERRACLAD™ BAGUETTE, SPLINE, GASKET AND REMOVABLE ATTACHMENT. ALL OTHER COMPONENTS TO BE PROVIDED BY OTHERS.



**PLAN DETAIL**  
**1 5/8" BAGUETTE w/ REMOVABLE ATTACHMENT**

2

Scale: 3" = 1'-0"



**SECTION DETAIL**  
**1 5/8" BAGUETTE w/ REMOVABLE ATTACHMENT**

1

Scale: 6" = 1'-0"

ALL RIGHTS RESERVED. NO PART OF THIS WORK MAY BE REPRODUCED OR COPIED IN ANY FORM OR BY ANY MEANS -GRAPHIC, ELECTRONIC, OR MECHANICAL, INCLUDING PHOTOCOPYING, RECORDING, TAPING OR INFORMATION AND RETRIEVAL SYSTEMS - WITHOUT WRITTEN PERMISSION OF BOSTON VALLEY TERRA COTTA.



**TerraClad™**  
 6860 SOUTH ABBOTT ROAD  
 ORCHARD PARK, NY 14127  
 PHONE: 716-649-7490  
 FAX: 716-649-9662  
 www.terraclad.com

**DETAIL  
 DRAWING**

SCALE:	6" = 1'-0"
DATE:	2/19/14
DRAWN:	EDS
PAGE NUMBER	B-5